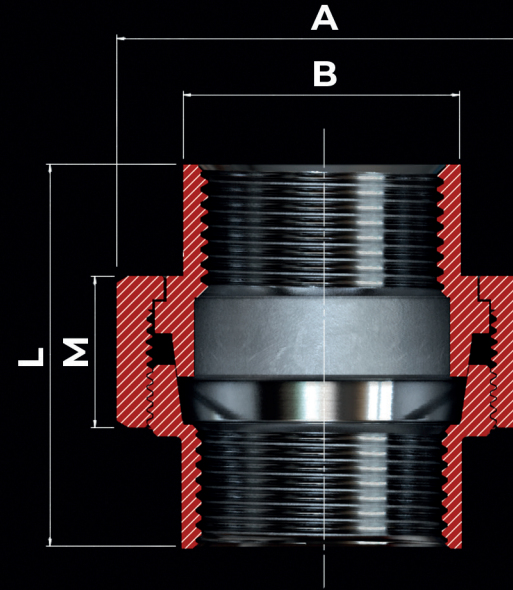
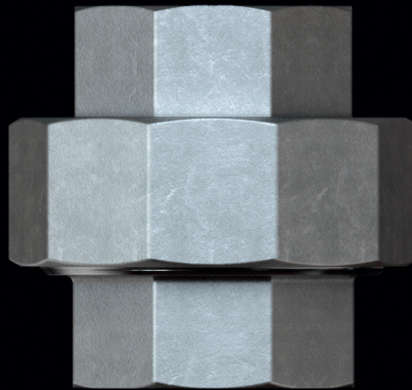
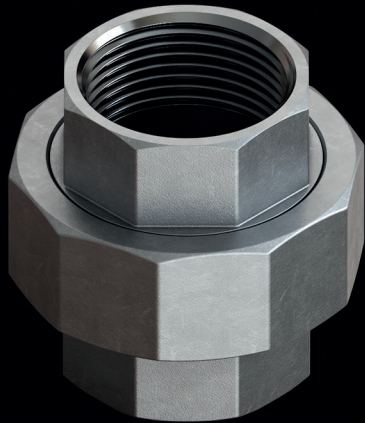


Union



OD	A	B	M	L
1/8"	26,0	14,0	13,0	31,0
1/4"	27,3	17,0	13,5	34,0
3/8"	32,2	20,5	15,0	37,0
1/2"	37,1	26,0	16,3	40,0
3/4"	46,0	31,0	17,3	43,0
1"	52,0	38,0	20,3	50,5
1.1/4"	65,0	48,0	22,3	54,5
1.1/2"	70,0	54,0	24,0	58,0
2"	84,5	66,0	27,2	65,5
2.1/2"	108,5	82,0	29,5	75,0
3"	117,0	95,5	31,0	83,5
4"	143,0	120,5	34,0	111,0

Manufacture Material

Stainless Steel ASTM
A351 CF8 (304)

Extremity

BSP 150#

All measures may change
without prior notice

X-STEEL