

Tee

OD

Manufacture Material

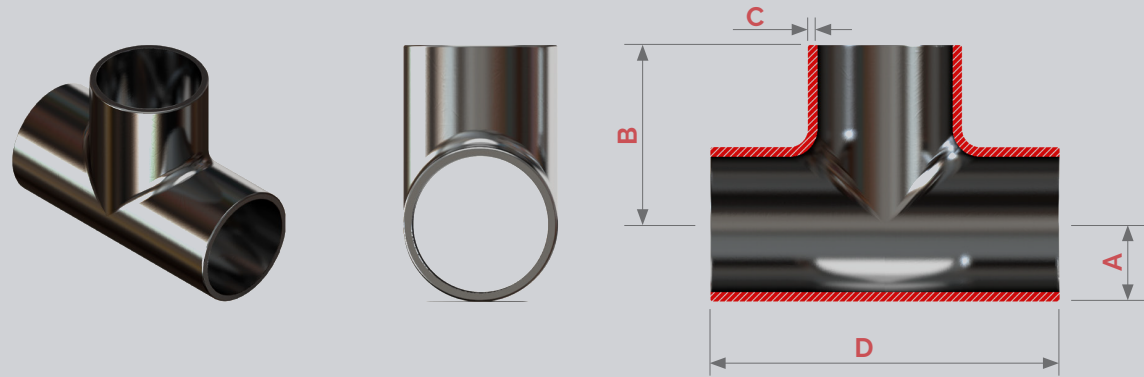
ASTM A270 TP 304 and
TP 316/L

Surface Finishing

DI/PE - PI/PE: Ra < 0,80 µm (32 µin)
Mechanical Polishing

Discover our other product lines

Sanitary Fittings Stainless Steel Flange
Threaded Fittings Stainless Steel Pipes
Tubular Fittings Sanitary Valves



Ø	A	B	C	D
1/2"	12,7	25,4	1,5	50,8
3/4"	19,05	38,1	1,5	76,2
1"	25,4	48,1	1,5	96,2
1.1/2"	38,1	57,2	1,5	114,4
2"	50,8	76,2	1,5	152,4
2.1/2"	63,5	86,3	2,0	170,6
3"	76,2	86,3	2,0	170,6
4"	101,6	110,0	2,0	220,0

All measures may change
without prior notice

X-STEEL