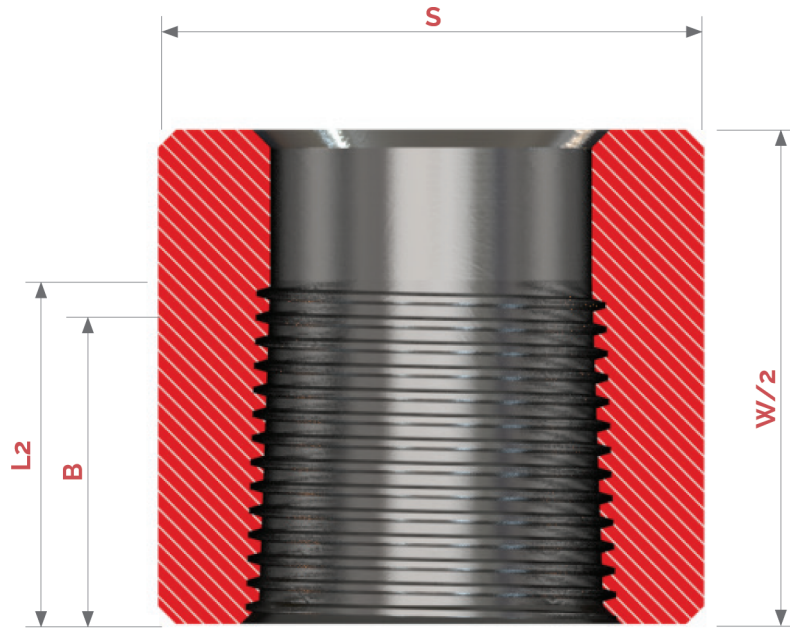


Half Sleeve Thread

Manufacturing Material

ASTM A182 TP GR F.304/L
and F.316LS

All measures may change
without prior notice



3000 lb.

DN	Ø	Comp. da Rosca		W	D
		B	L2		
6	1/8	6.4	6.7	32	16
8	1/4	8.1	10.2	35	19
10	3/8	9.1	10.4	38	22
15	1/2	10.9	13.6	48	28
20	3/4	12.7	13.9	51	35
25	1	14.7	17.3	60	44
32	1.1/4	17.0	18.0	67	57
40	1.1/2	17.8	18.4	79	64
50	2	19.0	19.2	86	76
65	2.1/2	23.6	28.9	92	92
80	3	25.9	30.5	108	108
100	4	27.7	33.0	121	140

Discover our other product lines

Sanitary Fittings
Threaded Fittings
Tubular Fittings

Stainless Steel Flange
Stainless Steel Pipes
Sanitary Valves

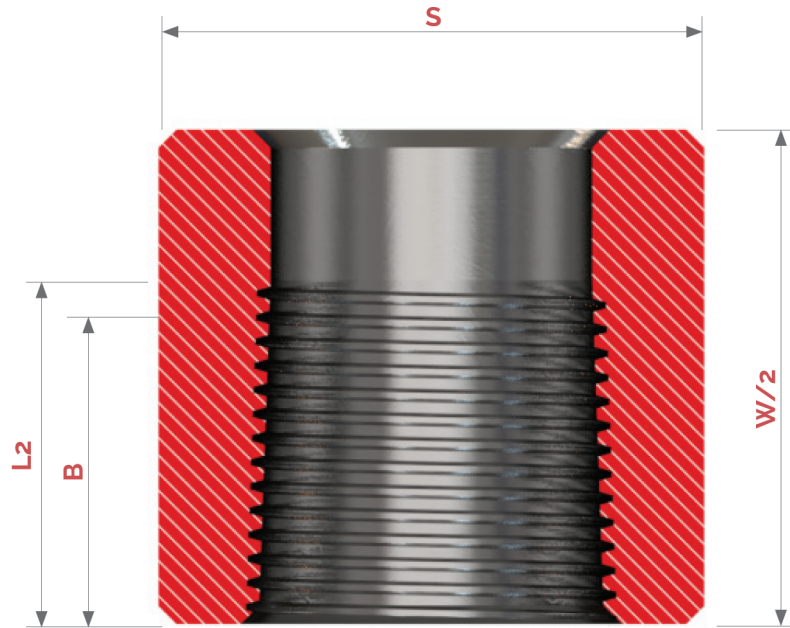
X-STEEL

Half Sleeve Thread

Manufacturing Material

ASTM A182 TP GR F.304/L
and F.316LS

All measures may change
without prior notice



6000 lb.

DN	Ø	Comp. da Rosca		W	D
		B	L2		
6	1/8	6,4	6,7	32	22
8	1/4	8,1	10,2	35	25
10	3/8	9,1	10,4	38	32
15	1/2	10,9	13,6	48	38
20	3/4	12,7	13,9	51	44
25	1	14,7	17,3	60	57
32	1.1/4	17,0	18,0	67	64
40	1.1/2	17,8	18,4	79	76
50	2	19,0	19,2	86	92
65	2.1/2	23,6	28,9	92	108
80	3	25,9	30,5	108	127
100	4	27,7	33,0	121	159

Discover our other product lines

Sanitary Fittings
Threaded Fittings
Tubular Fittings

Stainless Steel Flange
Stainless Steel Pipes
Sanitary Valves

X-STEEL