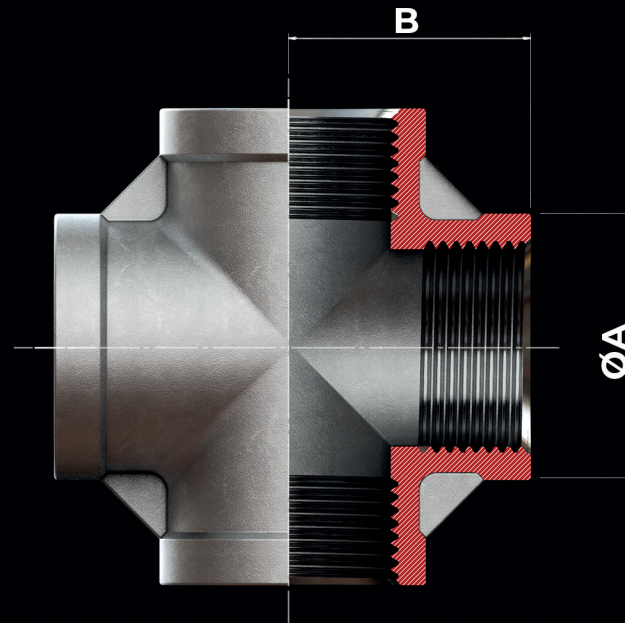


# Cross



OD	A	B
1/8"	17,1	14,5
1/4"	19,1	17,3
3/8"	23,0	21,0
1/2"	27,2	27,4
3/4"	31,5	32,0
1"	36,4	41,0
1.1/4"	45,0	49,6
1.1/2"	48,1	54,6
2"	56,2	68,4
2.1/2"	69,0	84,5
3"	77,5	98,4
4"	93,0	124,0

## Manufacture Material

Stainless Steel ASTM  
A351 CF8 (304)

## Extremity

BSP 150#

All measures may change  
without prior notice

**X-STEEL**