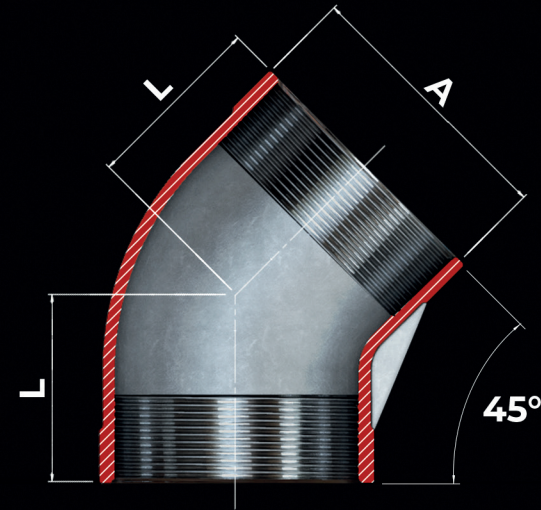


45° Elbow



OD	A	L
1/4"	17,5	17,0
3/8"	20,8	20,0
1/2"	27,6	22,0
3/4"	32,6	25,0
1"	40,8	30,0
1.1/4"	48,5	31,0
1.1/2"	55,0	36,0
2"	68,0	43,5
2.1/2"	86,0	49,5
3"	99,3	54,0
4"	125,0	64,0

Manufacture Material

ASTM A351 CF8 (304)

Extremity

BSP 150#

All measures may change without prior notice