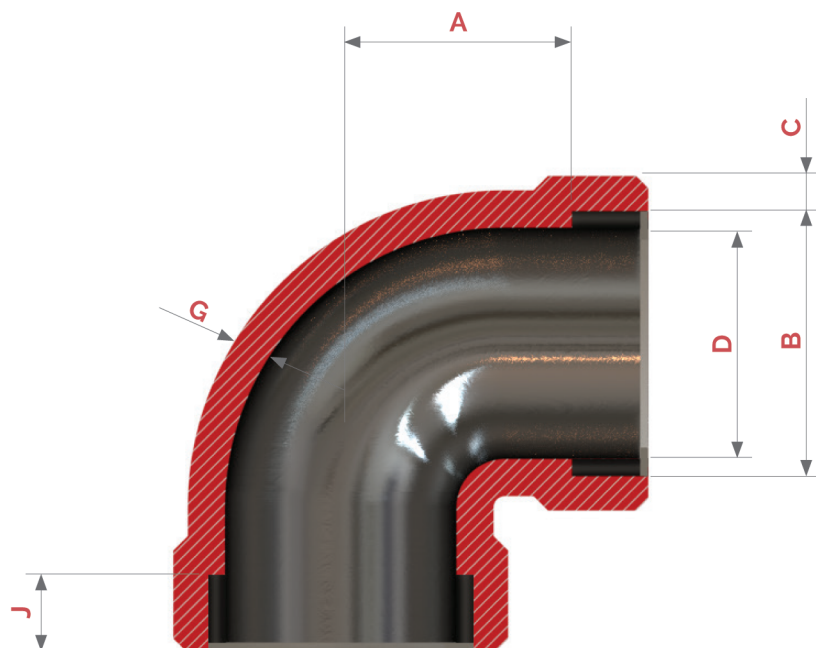


90° Curve

Manufacturing Material

ASTM A182 TP GR F.304/L
and F.316LS

All measures may change
without prior notice



3000 lb.

DN	Ø	B	C		D	A	G	J
			Padrão	Tam. min.				
6	1/8	10,8	3,18	3,18	6,9	11,0	2,41	9,5
8	1/4	14,2	3,78	3,3	9,3	11,0	3,02	9,5
10	3/8	17,6	4,01	3,5	12,6	13,5	3,20	9,5
15	1/2	21,8	4,67	4,09	15,8	15,5	3,73	9,5
20	3/4	27,2	4,9	4,27	21,0	19,0	3,91	12,5
25	1	33,9	5,69	4,98	26,7	22,5	4,55	12,5
32	1.1/4	42,7	6,07	5,28	35,1	27,0	4,85	12,5
40	1.1/2	48,8	6,35	5,54	40,9	32,0	5,08	16,0
50	2	61,2	6,93	6,04	52,5	38,0	5,54	16,0
65	2.1/2	73,9	8,76	7,67	62,7	41,0	7,01	16,0
80	3	89,8	9,52	8,3	78,0	57,0	7,62	16,0
100	4	115,2	10,69	9,35	102,3	66,5	8,56	19,0

Discover our other product lines

Sanitary Fittings
Threaded Fittings
Tubular Fittings

Stainless Steel Flange
Stainless Steel Pipes
Sanitary Valves

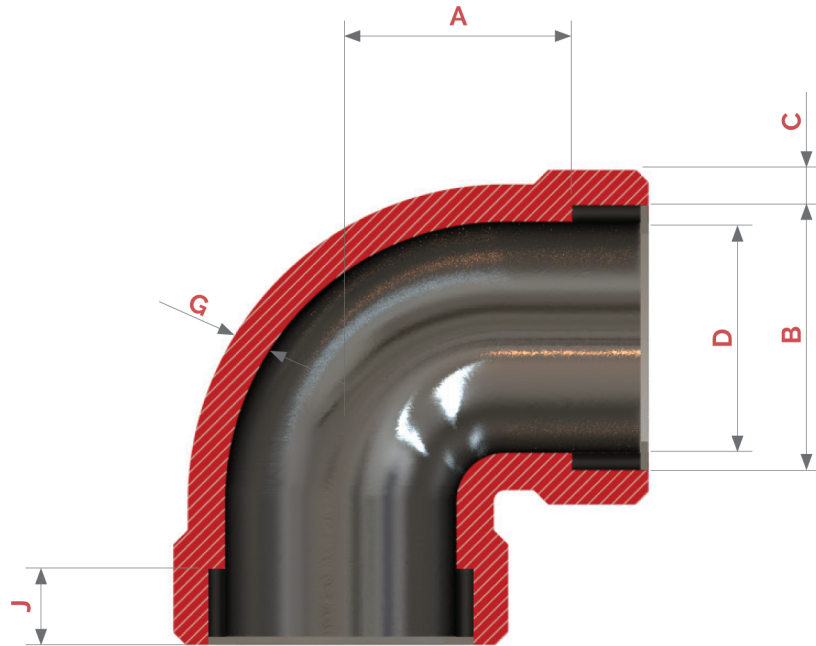
X-STEEL

90° Curve

Manufacturing Material

ASTM A182 TP GR F.304/L
and F.316LS

All measures may change
without prior notice



6000 lb.

DN	Ø	B	C		D	A	G	J
			Padrão	Tam. min.				
6	1/8	10,8	3,96	3,43	4,0	11,0	3,15	9,5
8	1/4	14,2	4,6	4,01	6,4	13,5	3,68	9,5
10	3/8	17,6	5,03	4,37	9,2	15,5	4,01	9,5
15	1/2	21,8	5,97	5,18	11,8	19,0	4,78	9,5
20	3/4	27,2	6,96	6,04	15,6	22,5	5,56	12,5
25	1	33,9	7,92	6,93	20,7	27,0	6,35	12,5
32	1.1/4	42,7	7,92	6,93	29,5	32,0	6,35	12,5
40	1.1/2	48,8	8,92	7,8	34,0	38,0	7,14	16,0
50	2	61,2	10,92	9,5	42,9	41,0	8,74	16,0

Discover our other product lines

Sanitary Fittings
Threaded Fittings
Tubular Fittings

Stainless Steel Flange
Stainless Steel Pipes
Sanitary Valves

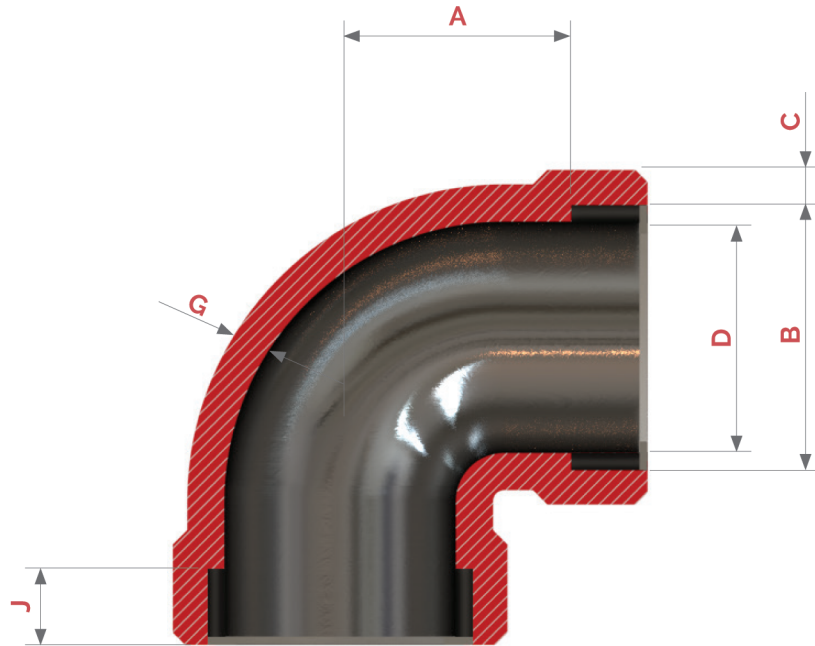
X-STEEL

90° Curve

Manufacturing Material

ASTM A182 TP GR F.304/L
and F.316LS

All measures may change
without prior notice



9000 lb.

DN	Ø	B	C		D	A	G	J
			Padrão	Tam. min.				
15	1/2	21,8	9,35	8,18	6,4	25,5	7,47	9,5
20	3/4	27,2	9,78	8,56	11,1	28,5	7,82	12,5
25	1	33,9	11,38	9,96	15,2	32,0	9,09	12,5
32	1.1/4	42,7	12,14	10,62	22,8	35,0	9,7	12,5
40	1.1/2	48,8	12,7	11,12	28,0	38,0	10,15	12,5
50	2	61,2	13,84	12,12	38,2	54,0	11,07	16,0

Discover our other product lines

Sanitary Fittings
Threaded Fittings
Tubular Fittings

Stainless Steel Flange
Stainless Steel Pipes
Sanitary Valves

X-STEEL