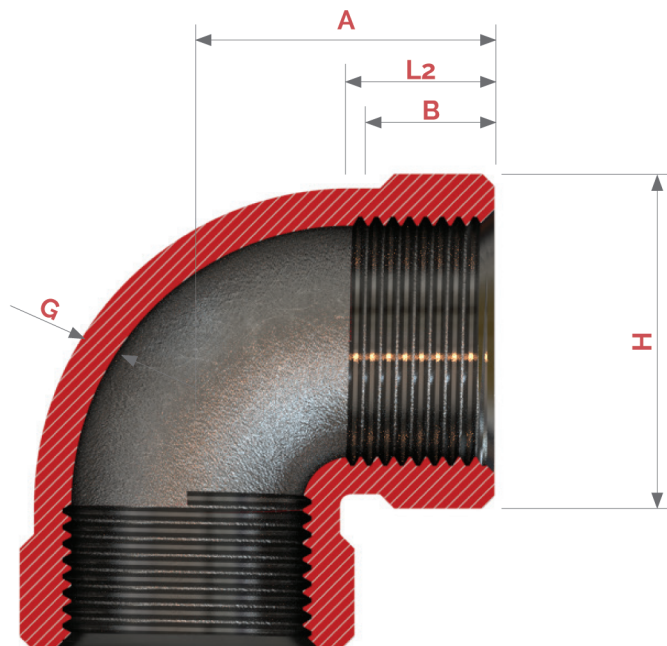


90° Curve Threaded

Manufacturing Material

ASTM A182 TP GR F.304/L
and F.316LS

All measures may change
without prior notice



2000 lb.

DN	Ø	Comp. da Rosca		A	G	H
		B	L2			
6	1/8	6.4	6.7	21	3,18	22
8	1/4	8.1	10.2	21	3,18	22
10	3/8	9.1	10.4	25	3,18	25
15	1/2	10.9	13.6	28	3,18	33
20	3/4	12.7	13.9	33	3,18	38
25	1	14.7	17.3	38	3,68	46
32	1.1/4	17.0	18.0	44	3,89	56
40	1.1/2	17.8	18.4	51	4,01	62
50	2	19.0	19.2	60	4,27	75
65	2.1/2	23.6	28.9	76	5,61	92
80	3	25.9	30.5	86	5,99	109
100	4	27.7	33.0	106	6,55	146

Discover our other product lines

Sanitary Fittings
Threaded Fittings
Tubular Fittings

Stainless Steel Flange
Stainless Steel Pipes
Sanitary Valves

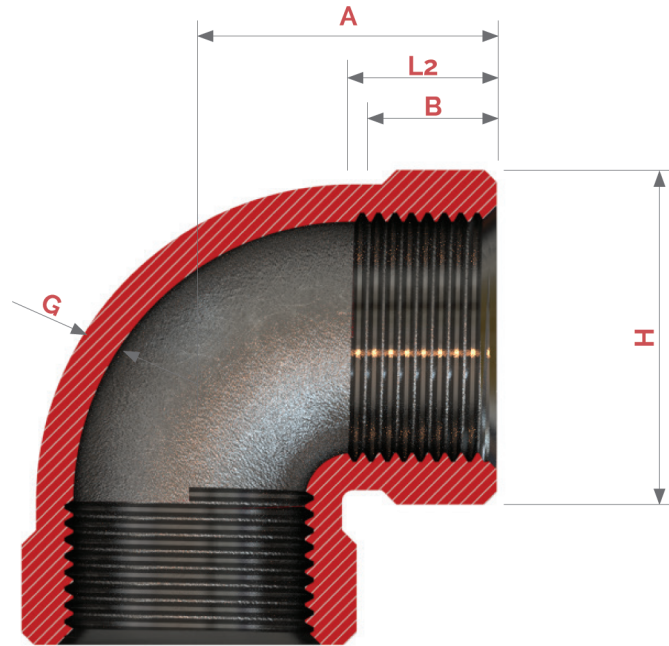
X-STEEL

90° Curve Threaded

Manufacturing Material

ASTM A182 TP GR F.304/L
and F.316LS

All measures may change
without prior notice



3000 lb.

DN	Ø	Comp. da Rosca		A	G	H
		B	L2			
6	1/8	6.4	6.7	21	3,18	22
8	1/4	8.1	10.2	25	3,30	25
10	3/8	9.1	10.4	28	3,51	33
15	1/2	10.9	13.6	33	4,09	38
20	3/4	12.7	13.9	38	4,32	46
25	1	14.7	17.3	44	4,98	56
32	1.1/4	17.0	18.0	51	5,28	62
40	1.1/2	17.8	18.4	60	5,56	75
50	2	19.0	19.2	64	7,14	84
65	2.1/2	23.6	28.9	83	7,65	102
80	3	25.9	30.5	95	8,84	121
100	4	27.7	33.0	114	11,18	152

Discover our other product lines

Sanitary Fittings
Threaded Fittings
Tubular Fittings

Stainless Steel Flange
Stainless Steel Pipes
Sanitary Valves

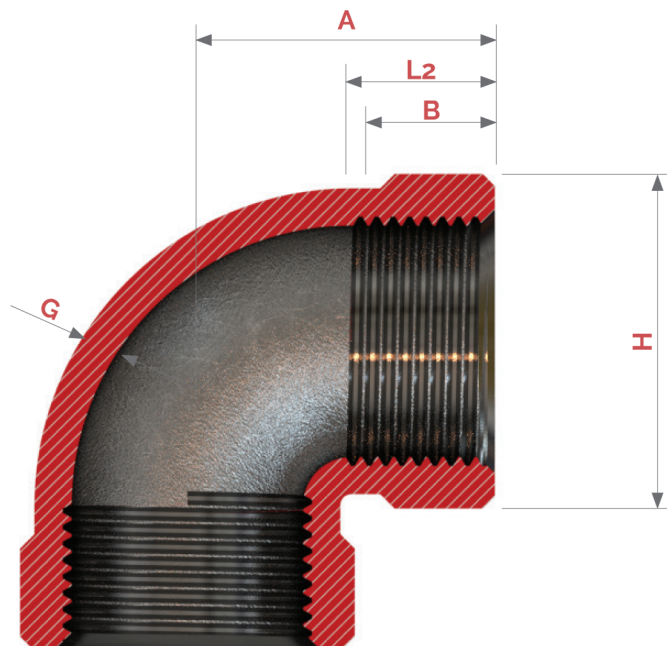
X-STEEL

90° Curve Threaded

Manufacturing Material

ASTM A182 TP GR F.304/L
and F.316LS

All measures may change
without prior notice



6000 lb.

DN	Ø	Comp. da Rosca		A	G	H
		B	L2			
6	1/8	6,4	6,7	25	6,35	22
8	1/4	8,1	10,2	28	6,60	25
10	3/8	9,1	10,4	33	6,98	33
15	1/2	10,9	13,6	38	8,15	38
20	3/4	12,7	13,9	44	8,53	46
25	1	14,7	17,3	51	9,93	56
32	1.1/4	17,0	18,0	60	10,59	62
40	1.1/2	17,8	18,4	64	11,07	75
50	2	19,0	19,2	83	12,09	84
65	2.1/2	23,6	28,9	95	15,29	102
80	3	25,9	30,5	106	16,64	121
100	4	27,7	33,0	114	18,67	152

Discover our other product lines

Sanitary Fittings
Threaded Fittings
Tubular Fittings

Stainless Steel Flange
Stainless Steel Pipes
Sanitary Valves

X-STEEL