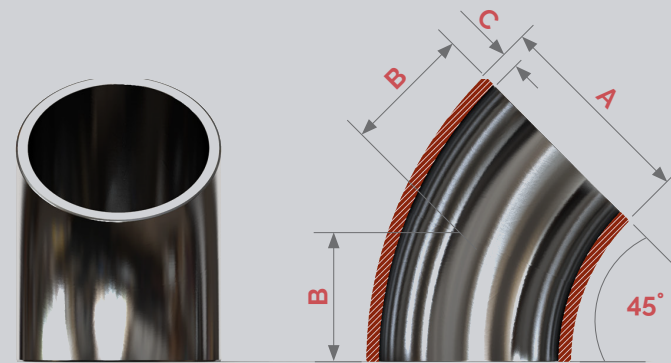
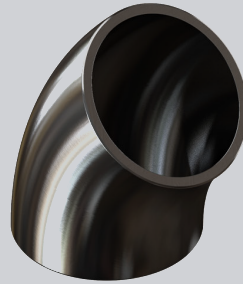


45° Curve

Long Radius OD

Manufacturing Material

ASTM A270 TP 304 and
TP 316/L



Surface Finishing

DI/PE - PI/PE: Ra < 0,80 µm (32 µin)
Mechanical Polishing

Discover our other product lines

Sanitary Fittings Stainless Steel Flange
Threaded Fittings Stainless Steel Pipes
Tubular Fittings Sanitary Valves

Ø	A	B	C
1/2"	12,7	13,5	1,5
3/4"	19,05	20,2	1,5
1"	25,4	26,9	1,5
1.1/2"	38,1	40,4	1,5
2"	50,8	53,9	1,5
2.1/2"	63,5	67,4	2,0
3"	76,2	80,8	2,0
4"	101,6	107,8	2,0

All measures may change
without prior notice

X-STEEL