

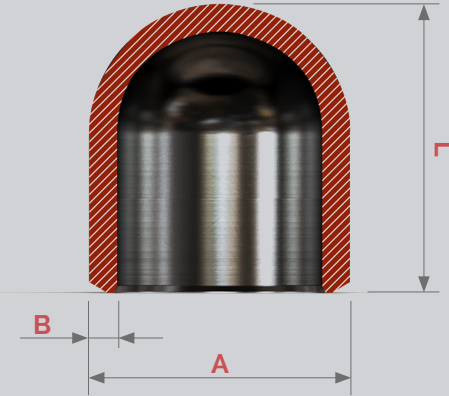
# CAP

## Manufacture Material

ASTM A270 TP 304 and  
TP 316/L

## Surface Finishing

DI/PE - PI/PE:  $R_a < 0,80 \mu\text{m}$  (32  $\mu\text{in}$ )  
*Mechanical Polishing*



$\varnothing$	A	B	L
1"	25,4	1,5	18,6
1.1/2"	38,1	1,5	28,4
2"	50,8	1,5	33,7
2.1/2"	63,5	2,0	39,8
3"	76,2	2,0	43,1
4"	101,6	2,0	64,6

All measures may change  
without prior notice

## Discover our other product lines

Sanitary Fittings      Stainless Steel Flange  
Threaded Fittings    Stainless Steel Pipes  
Tubular Fittings     Sanitary Valves

# X-STEEL